

# MTSOLO Off Grid LED Solar Lighting System

<b>Project:</b>	
<b>Catalog #:</b>	
<b>Type:</b>	



## DESCRIPTION

MT's Solo, a stand alone Off-Grid Outdoor Lighting System that enables you to install in any remote location with a Dual Axis Rotation of the Solar Panel. The unique design maximizes the ability to be able to direct the light exactly where needed, while giving optimum solar efficiency in a single package unit.

## APPLICATIONS

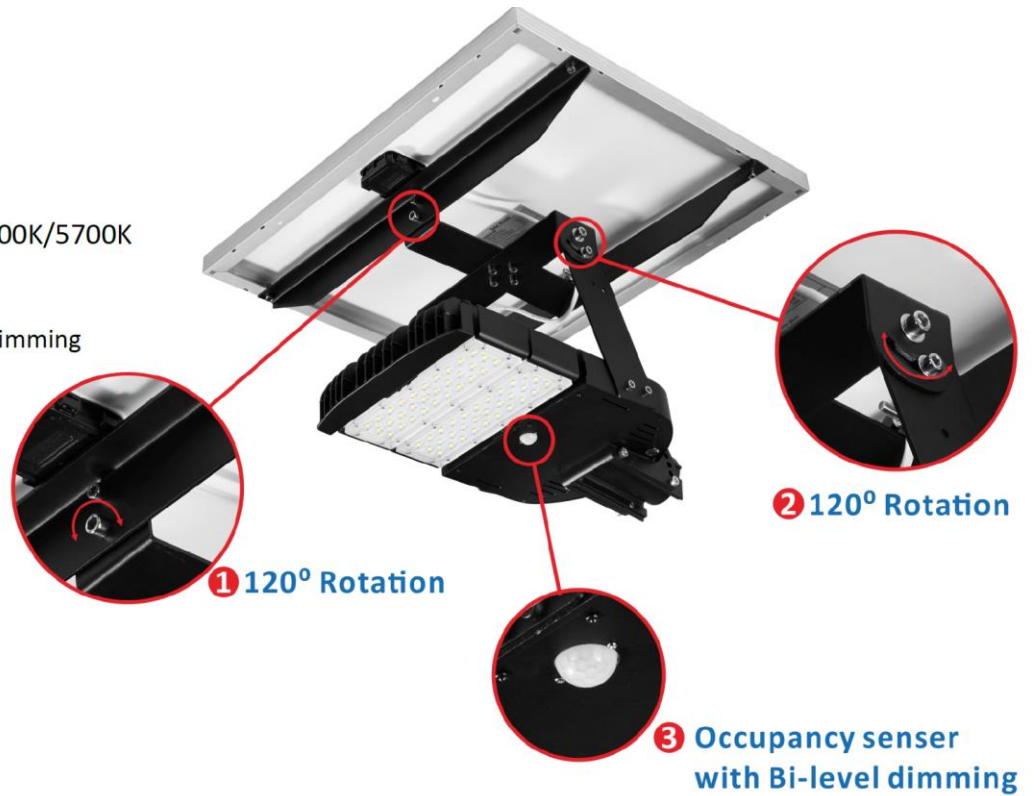
- Off Grid Parking
- Off Grid Area Lighting
- Off Grid Street Lighting

## FEATURES & SPECIFICATIONS

• Lumens/Watt	-	-	120 lm/w
• Battery	-	-	Lithium Ion
• IP Rating	-	-	IP-65
• L70	-	-	≥50,000
• Operating Temp.	-	-	-20C°~40C°
• Solar Panel	-	-	30W~100W
• CRI	-	-	>70
• Warranty	-	-	3 Years /5 Year Extendable

## FEATURES & BENEFITS:

- ◆ Wattage Options: 60 Watt
- ◆ CCT Options: 3000K//4000K/5000K/5700K
- ◆ Sensor Options::  
Occupancy, Occupancy with Bi-Level Dimming
- ◆ 3 Year Warranty
- ◆ Near Zero Maintenance



MetroTech	Series	Watt	Battery	Lumens	Mounting	Housing Color	CCT	Optics/Lens	Accessories	Internal	DLC
MT	SOLO	20W	12AH	2,400	S 2" Slip	B Black	30K 3000K	S 150° X 110°	X None	11	N
		40W	36AH	3,400		S Silver	40K 4000K		OC Occupancy		N
		60W	48AH	7,200		C Custom	50K 5000K		OCB Occupancy / Bi-Level Dimming		N
		90W	72AH	10,800			57K 5700K				N